

API618 Reciprocating Compressors for Nitrogen

Over fifty years of experience.

Hundreds of nitrogen compressors in operation throughout the world.

SIAD Macchine Impianti compressors for *Nitrogen* are:

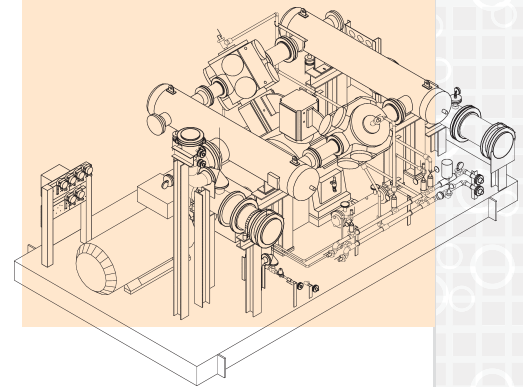
- *skid-mounted* to facilitate installation and start-up operations;
- *easy to maintain*. The design facilitates maintenance operations by the final user.

Technical characteristics

- Selection of suitable materials in the case of bone dry nitrogen compression.
- Specific know-how in selecting critical components such as piston rings and seals in order to ensure reliability of the machine and reduce maintenance work to a minimum.

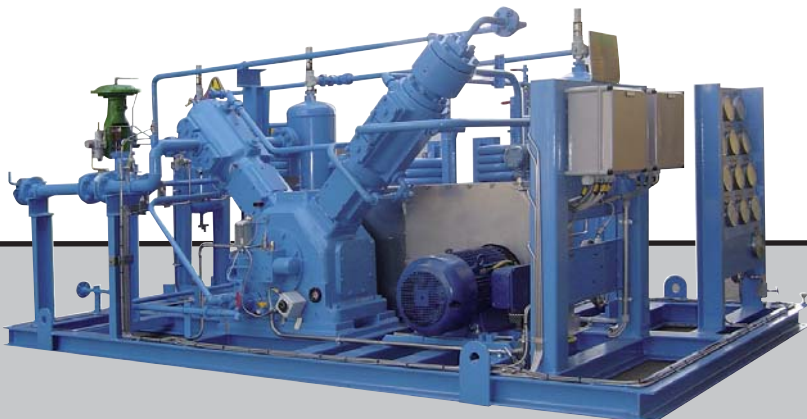
Industries

- Chemical
- Desalination
- Food
- Glass
- Petrochemical
- Refinery
- Technical Gases



API618 Reciprocating Compressors for Nitrogen

Outlet pressure	up to 350 bar oil-free or lubricated
Capacity	up to 60 000 m ³ /h



Technical Standard

- Many years of experience in the construction of Nitrogen compressors in compliance with International Safety Standards and Manufacturing Codes in the different countries of installation.
- The experience of SIAD Macchine Impianti engineers, in terms of the service we offer our customers, has resulted in a certified standard which can be adapted to the many requirements of small, medium-size and large industries.



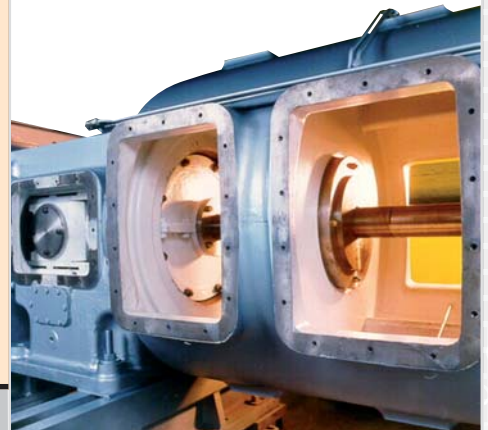
International manufacturing
and safety standards

- API Standard 618 Fifth Edition

Integrated Technical Services

- Technical Assistance Service on the phone number: +39 335 1421103
- Network of Authorised Assistance Centres throughout the world
- Authentic, ready-to-use spare parts from stock
- Global Service contracts
- Predictive maintenance
- Mechanalysis

Find out more about our
range of services at
www.siadmi.com



For further information::
angelo.parimbelli@siadmi.com



© 2011 SIAD Macchine Impianti S.p.A. Single-member company under the management and coordination of SIAD S.p.A. All rights reserved.

The information contained herein is offered for use by technically qualified personnel at their discretion and risk without warranty of any kind.

We regularly update our data, for updated data please visit our web site www.siadmi.com

Printed in Italy
179uk09/11

SIAD Macchine Impianti S.p.A. Single-member company under the management and coordination of SIAD S.p.A.

Via Canovine, 2/4
24126 Bergamo
ITALY

info@siadmi.com
www.siadmi.com

Tel.
+39 035 327611

Fax
+39 035 316131

www.siadmi.com

Share Capital euro 25.000.000 paid up - V.A.T. and Fiscal Number: IT 00228420162
R.E.A. BG-72619 - Export: BG 006107